

# Tumble dryer

## TD6-6



**Dryer featuring exceptional savings and effortless use**



### Priority on people

Certified ergonomic design with a human-centered approach for an outstanding user experience

- Reversible door hanging for a convenient laundry flow
- Easy access to vital parts from the top and rear for simple servicing
- Stainless steel drum



### Long-term savings

Innovative features to save money and time, and embrace a sustainable lifestyle

- Residual Moisture Control for an accurate drying result and a low energy consumption
- The coin version with Ecopower to avoid over drying of the garments and get a lower energy consumption



### Pure control

Monitor your equipment and performance from anywhere, allowing to take action and to improve your business with OnE Laundry - the personal assistant for hygiene validation management, process management and revenue management



### Productivity

- Reversing drum for less tangling of large items
- For optimal performance the room temperature should not exceed 25° Celcius for the condensed version

### Main options and accessories

- Stainless steel front
- Connection to booking- /payment- system or coin meter
- Stacking frame for mounting TD6-6 on top of WH6-6
- Stainless steel base frame
- Integrated condense system



Images shown are a representation of the product only and variations may occur.

Main specifications			TD6-6	Condense
Rated capacity,	filling factor 1:22	kg/lb	6/13	6/13
Drum volume		litre	130	130
Drum diameter		mm	575	575
Heating alternatives				
electric		kW	5.1 / 3.2	3.0
<b>Consumption data*</b>				
Total time full load		min	32	55
Energy consumption full load		kWh	2.78	2.96
Evaporation		g/min	92.8	48
Energy kWh/litre water evaporated		kWh/l	0.94	1.00

\* At rated capacity 100% cotton load at 50% initial moisture dried to 0%.

Produced according to ISO 9001 and ISO 14001.

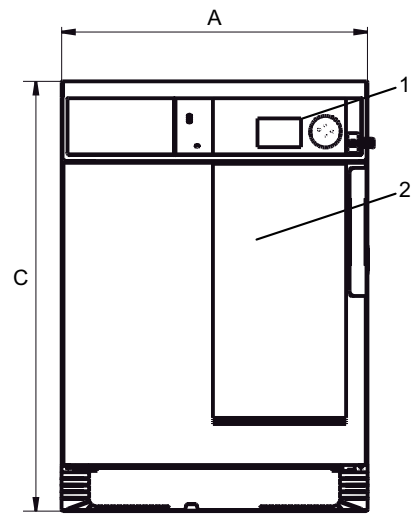
Certified with CB certificate for Low Voltage Directive and S-mark according to the Machinery Directive. Protection class IP X4D.

Electrical connections					
Heating alternative	Main voltage		Heating power kW	Total power kW	Recommended fuse A
		Hz			
Electric heated	220-230V 1 ~	50/60	3.1	3.3	16
	240V 1 ~	50/60	3.2	3.5	16
	220-230V 3 ~	50/60	3.1	3.3	16
	240V 3 ~	50/60	3.2	3.5	16
	220-230V 3 ~	50/60	4.9	5.1	16
	240V 3 ~	50/60	5.1	5.4	16
	380-400V 3 ~	50/60	4.9	5.1	10
	415V 3 ~	50/60	5.1	5.3	10
	440V 3 ~	60	5.1	5.4	10
	480V 3 ~	60	5.1	5.3	10
Condense	380-400V 3N ~	50/60	4.9	5.1	10
	440V 3 ~	60	3.0	3.4	10
	220-230V 3 ~	50/60	2.9	3.3	10

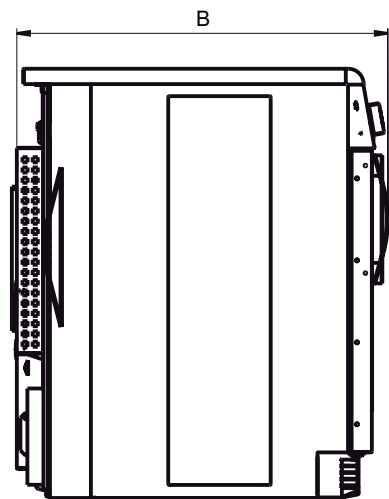
Connections		TD6-6	Condense
Air outlet	mm	∅ 100	-
Maximum air flow	m <sup>3</sup> /h	240	-
Condensate		-	1/2"
Maximum static back pressure	Pa	80	-
Sound levels			
Sound power/pressure level at drying*	dB(A)	67/53	67/53
Heat emission			
% of installed power, max		15	15
Shipping data**			
Shipping volume	net, kg m <sup>3</sup>	58 0.51	57 0.63
Accessories			
Stacking frame for mounting TD6-6 on top of WH6-6		x	x
Stainless steel base frame		x	x
Dimensions in mm			
A Width		597	597
B Depth		725	725
C Height		839	839
D		138	138
E		50	50
F		89	89
G		200	200
<b>1</b> Operating panel <b>2</b> Door opening ∅ 370 mm <b>3</b> Electrical connection <b>4</b> Exhaust connection <b>5</b> Condense connection			

\* Sound power levels measured according to ISO 60704.

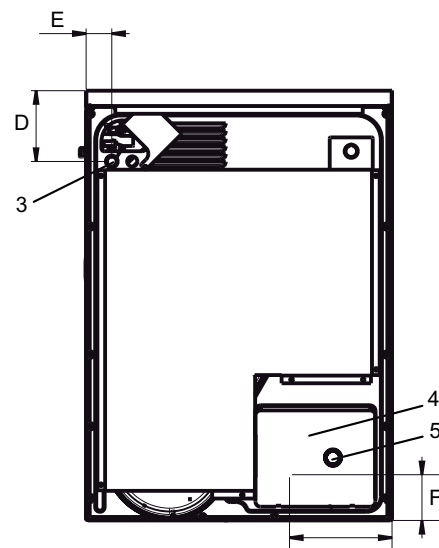
\*\* Average data. Crated weight/shipping volume depends on configuration. Please contact logistics for exact measures.



Front



Left side



Rear side